

## Product data sheet



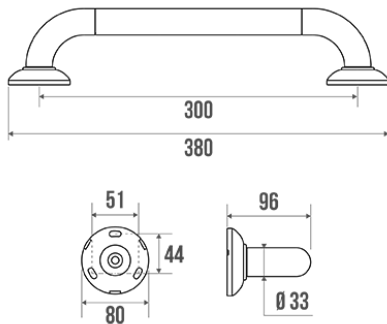
### Information

Designation	Straight grab bar, 300 mm, White & Blue Polyalu, tube Ø 33 mm
Reference	046133

### Description

Composite material: White synthetic resin + aluminium profile. Tube Ø 33 mm.  
Blue (RAL 5002) flange border and central body.  
Concealed fixings.

Stainless steel fixing screws included.



### Technical characteristics

Material	Polyalu
Color	White & Blue
Dimensions	300 mm
Gross weight	0.580 kg
Packaging	Plastic protection bag
Maximum Weight Capacity	150 kg
Laboratory tests	225 kg
Guarantee	10 years
Gencod	3563390461334
Custom code	7615200000
Technical sheet	<a href="#">A55182801_IND_03</a>
Spare parts	Ref. 046100, Polyalu cover plate. Ref. 046101, Bag of 3 stainless steel screws. Ref. 046288, Flange, cover plate and fixings.

### Fixing and maintenance advices

Recommended height for the horizontal part : 800 mm from the ground. Grab bars provide support and added safety if properly fitted in accordance with our technical instructions. Careful consideration and selection of the appropriate wall fixings according to the wall-mounted support is required to ensure the long life of your accessory.

The use of stainless steel screws (Ø 4 mm) is highly recommended to prevent corrosion in damp environment. Before drilling, physically hold the product against the wall at desired position and mark the hole locations. All the fixing points must be respected. After installation and before use, make sure that all fixing screws are tightened securely. DO NOT use the grab bar as a step. DO NOT sit on or hang from the grab bar.

## Maintenance

IMPORTANT: To ensure the sustainability of the product and user safety, we recommend using a solution made of mild soap for cleaning. CAUTION: DO NOT USE cleaning products made of: etones, hydrocarbons, acids, bases, esters and ethers. After use of a cleaning product, make a rinsing in the clear water.

## Confort of use

---

### Function

Support	★★★★
Raising	★★☆☆
Transfer	★★☆☆

### Characteristics

Horizontal	★★★★
Vertical	★★★★
Diagonal	★★★★
Corrosion resistant	★★★★

### Type of Use

Bath	★★☆☆
Shower	★★☆☆
Toilet	★★☆☆
Cloakroom/Changeroom	★★★★

### Location of Use

Medical facilities	★★★★
ERP/IOP	★★★★
Hotels	★★☆☆
Private homes	★★★★
Workplaces	★★★★

Fiche produit mise à jour le : 11/01/2019