

Product data sheet



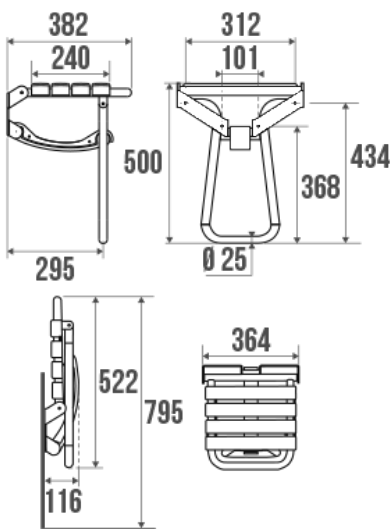
Information

| | |
|-------------|--|
| Designation | White and chrome grey foldaway shower seat |
| Reference | 047631 |

Product advantages

- + **Maximum safety: with automatic stand.**
- + **Compact in raised position.**
- + **Easy fixing**
- + **Corrosion resistant warranty.**

Description



Standard size.
4 white polypropylene slats.
Grey epoxy-coated aluminium tube.
Enables users to sit down safely and comfortably while showering.

Standard height 500 mm.

Technical characteristics

| | |
|--------------|---------------------------|
| Material | Aluminium & Polypropylene |
| Finish | Epoxy-coated |
| Color | Chrome Grey & White |
| Dimensions | 380 x 355 x 500 mm |
| Diameter Ø | 25 mm |
| Gross weight | 2.700 kg |

| | |
|------------------------|---|
| Net weight | 2.174 kg |
| Packaging | Cardboard box |
| CE Marking : safe load | 150 kg |
| Laboratory tests | 225 kg |
| Guarantee | 10 years |
| Gencod | 3563390476314 |
| Custom code | 7615200000 |
| Technical sheet | A13470022_IND_17 |
| Spare parts | Ref. 047636: pads for shower seat. Ref. 047638: White seat slat. Ref. 047639: Support slat. |

Fixing and maintenance advices

Careful consideration and selection of the appropriate wall fixings according to the wall-mounted support is required to ensure the long life of your accessory. The use of stainless steel screws (\varnothing 4 mm) is highly recommended to prevent corrosion in damp environment. Before drilling, physically hold the product against the wall at desired position and mark the hole locations. All the fixing points must be respected. After installation and before use, make sure that all fixing screws are tightened securely. The shower seat provides support and added safety if properly fitted in accordance with our technical instructions. For use in seated position. To guarantee the user safety, DO NOT rise up on the seat. When the seat is raised, DO NOT use it as a grab bar. To avoid any risks of pinching out, DO NOT put your fingers in the mobile parts. The product does not contains any dangerous substance for the health. We disclaim all liability for any personal injury resulting from inappropriate installation or use of this seat.

Maintenance

IMPORTANT: To ensure the sustainability of the product and user safety, we recommend using a solution made of mild soap for cleaning. CAUTION: DO NOT USE cleaning products made of: etones, hydrocarbons, acids, bases, esters and ethers. After use of a cleaning product, make a rinsing in the clear water.

Confort of use

Function

Rest ★ ★ ☆

Characteristics

Horizontal ★ ★ ★ ★

Vertical ★ ★ ★ ★

Corrosion resistant ★ ★ ★ ★

Type of Use

Shower ★ ★ ★ ★

Cloakroom/Changeroom ★ ★ ★ ★

Location of Use

Medical facilities ★ ★ ☆

ERP/IOP ★ ★ ☆

Hotels ★ ★ ☆

Private homes ★ ★ ★ ★

Workplaces ★ ★ ☆