

Product data sheet



Arsis
EVOLUTION



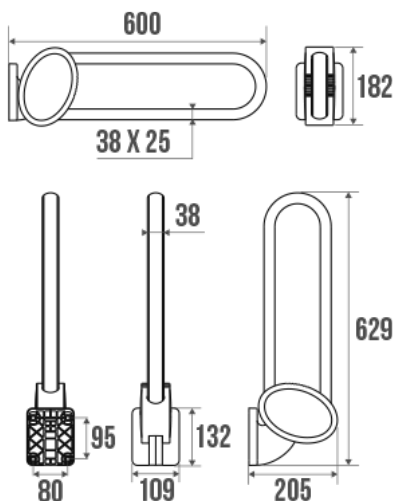
Information

Designation ARSIS hinged bar, 600 x 109 x 182 mm, White Epoxy-coated Aluminium, tube 38 x 25 mm
Reference 048660

Product advantages

- + Soft close system.
- + Elliptic tube for an improved grip.
- + Upgradeable product !

Description



Concealed fixings.
Elliptical tube 38 x 25 mm in white epoxy-coated aluminium.
Wall flange, joint and side plates in white synthetic resin.

Wall fixings included.
Design coordinated with all ARSIS Comfort items.
Perfectly suitable for use in the hospitality industry.

Technical characteristics

Material	Aluminium
Finish	Epoxy-coated
Color	White
Dimensions	600 x 109 x 182 mm
Diameter Ø	38 x 25 mm
Gross weight	2.250 kg
Packaging	Cardboard box

CE Marking : safe load	150 kg
Laboratory tests	225 kg
Guarantee	10 years
Gencod	3563390486603
Custom code	7615200000
Technical sheet	A48960812_IND_02

Fixing and maintenance advices

Recommended height for the horizontal part : 800 mm from the ground. Hinged bars provide support and added safety if properly fitted in accordance with our technical instructions. Careful consideration and selection of the appropriate wall fixings according to the wall-mounted support is required to ensure the long life of your accessory. The use of stainless steel screws (Ø 4 mm) is highly recommended to prevent corrosion in damp environment. Before drilling, physically hold the product against the wall at desired position and mark the hole locations. All the fixing points must be respected. After installation and before use, make sure that all fixing screws are tightened securely. DO NOT use the hinged bar as a step. DO NOT sit on or hang from the grab bar. On wall not strong enough, 3 solutions: the free-standing pole ref: 048400, the support prop ref: 048610 or you can also install a backplate behind the wall.

Maintenance

IMPORTANT: To ensure the sustainability of the product and user safety, we recommend using a solution made of mild soap for cleaning. CAUTION: DO NOT USE cleaning products made of: etones, hydrocarbons, acids, bases, esters and ethers. After use of a cleaning product, make a rinsing in the clear water.

Confort of use

Function

Support	★★★☆☆
Raising	★★★★
Transfer	★★★★
Rest	★★★☆☆

Characteristics

Horizontal	★★★★
Vertical	★★★★
Corrosion resistant	★★★★

Type of Use

Shower	★★★★
Toilet	★★★★
Washbasin	★★★☆☆
Cloakroom/Changeroom	★★★☆☆

Location of Use

Medical facilities	★★★★
ERP/IOP	★★★☆☆
Hotels	★★★★
Private homes	★★★☆☆
Workplaces	★★★☆☆

Fiche produit mise à jour le : 11/01/2019