

Product data sheet



Information

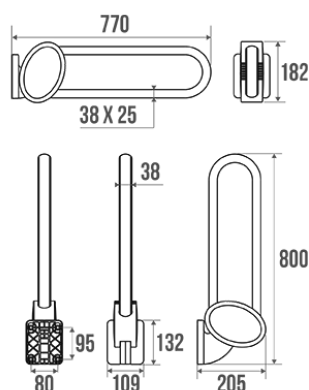


Designation	ARSIS hinged bar, 770 x 109 x 182 mm, White Epoxy-coated Aluminium, tube 38 x 25 mm
Reference	048680

Product advantages

- + **Soft close system.**
- + **Elliptic tube for an improved grip.**

Description



Concealed fixings.
Elliptical tube 38 x 25 mm in white epoxy-coated aluminium.
Wall flange, joint and side plates in white synthetic resin.

Wall fixings included.
Design coordinated with all ARSIS Comfort items.
Perfectly suitable for use in the hospitality industry.

Technical characteristics

Material	Aluminium
Finish	Epoxy-coated
Color	White
Dimensions	770 x 109 x 182 mm
Diameter Ø	38 x 25 mm
Gross weight	2.500 kg
Packaging	Cardboard box
CE Marking : safe load	120 kg
Laboratory tests	180 kg
Guarantee	10 years
Gencod	3563390486801
Custom code	7615200000

Fixing and maintenance advices

Recommended height for the horizontal part : 800 mm from the ground. Hinged bars provide support and added safety if properly fitted in accordance with our technical instructions. Careful consideration and selection of the appropriate wall fixings according to the wall-mounted support is required to ensure the long life of your accessory. The use of stainless steel screws (Ø 4 mm) is highly recommended to prevent corrosion in damp environment. Before drilling, physically hold the product against the wall at desired position and mark the hole locations. All the fixing points must be respected. After installation and before use, make sure that all fixing screws are tightened securely. **DO NOT** use the hinged bar as a step. **DO NOT** sit on or hang from the grab bar. On wall not strong enough, 3 solutions: the free-standing pole ref: 048400, the support prop ref: 048610 or you can also install a backplate behind the wall.

Maintenance

IMPORTANT: To ensure the sustainability of the product and user safety, we recommend using a solution made of mild soap for cleaning. **CAUTION: DO NOT USE** cleaning products made of: etones, hydrocarbons, acids, bases, esters and ethers. After use of a cleaning product, make a rinsing in the clear water.

Confort of use

Function

Support	★★★☆☆
Raising	★★★★
Transfer	★★★★
Rest	★★★☆☆

Characteristics

Horizontal	★★★★
Vertical	★★★★
Corrosion resistant	★★★★

Type of Use

Shower	★★★★
Toilet	★★★★
Washbasin	★★★☆☆
Cloakroom/Changeroom	★★★☆☆

Location of Use

Medical facilities	★★★★
ERP/IOP	★★★☆☆
Hotels	★★★★
Private homes	★★★☆☆
Workplaces	★★★☆☆