

Product data sheet



Information

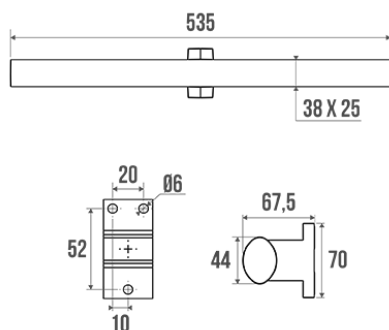
Designation	Double towel rail, 538 x 69 x 67,5 mm, White epoxy-coated Aluminium, mat chrome-plated flanges, tube 38 x 25 mm
Reference	049912



Product advantages

- + **Elegant and design shape.**
- + **Concealed fixings.**
- + **Corrosion resistant warranty.**

Description



2 fixed arms.
Elliptical white aluminium tube 38 x 25 mm.
Mat chrome-plated resin cover plates.

Wall fixings included.
Design coordinated with all ARSIS Comfort items.
Perfectly suitable for use in the hospitality industry.

Technical characteristics

Material	Aluminium
Finish	Epoxy-coated
Color	Mat chrome-plated & white
Dimensions	535 x 70 x 67,5 mm
Diameter Ø	38 x 25 mm
Gross weight	0.460 kg
Packaging	Plastic protection bag + Hanger for display
Guarantee	5 years
Gencod	3563390499122
Custom code	7615200000

Technical sheet

[S04901100_IND_01](#)

Fixing and maintenance advices

The robe hooks are designed and manufactured for use assigned to them. These products may under no circumstances be used to maintain, recover or hang. Careful consideration and selection of the appropriate wall fixings according to the wall-mounted support is required to ensure the long life of your accessory. The use of stainless steel screws (Ø 4 mm) is highly recommended to prevent corrosion in damp environment. Before drilling, physically hold the product against the wall at desired position and mark the hole locations. All the fixing points must be respected. After installation and before use, make sure that all fixing screws are tightened securely.

Maintenance

IMPORTANT: To ensure the sustainability of the product and user safety, we recommend using a solution made of mild soap for cleaning. **CAUTION: DO NOT USE** cleaning products made of: etones, hydrocarbons, acids, bases, esters and ethers. After use of a cleaning product, make a rinsing in the clear water.

Fiche produit mise à jour le : 11/01/2019