

Product data sheet



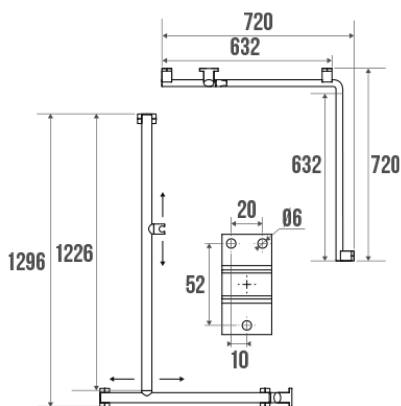
Information

Designation	ARSIS Two-wall corner shower bar, White Epoxy-coated Aluminium, mat chrome-plated flanges
Reference	049925

Product advantages

- + Elliptic tube for an improved grip.
- + Adjustable: convertible into a T or L shape, for all configurations.
- + With 2 brackets for shower handset : sliding and fixed rotating.
- + Make stepping into or out of the shower easier.

Description



Elliptical tube in white epoxy-coated aluminium, 38 x 25 mm.
mat chrome plated resin cover plates.
Adjustable: convertible into T or L shape at assembly stage. Once assembled, the positioning remains fixed: 3 fixing points.

1 slider bracket on the vertical bar to ease the catch in hand of the shower handset. 1 fixed and rotating bracket on the horizontal bar to enable people while sitting to have a shower without any difficulty.

Concealed fixing.
Screws included.
Anticorrosion warranty.
Design coordinated with all ARSIS bathroom accessories.
Perfectly suitable for use in the hospitality industry.
Also available with white epoxy-coated coverplates, ref. 049825.

Technical characteristics

Material	Aluminium
Finish	Epoxy-coated
Color	Mat chrome-plated & white
Dimensions	1296 x 720 x 720 mm
Diameter Ø	38 x 25 mm
Gross weight	2.600 kg
Packaging	Cardboard box
CE Marking : safe load	150 kg
Laboratory tests	225 kg

Guarantee	10 years
Gencod	3563390499252
Custom code	7615200000
Technical sheet	A04982007_IND_04-et-A04983001_IND_00
Spare parts	Réf. 049007 : Support de fixation alu chromé, Réf. 049009 : Cache-fixation gris chromé mat

Fixing and maintenance advices

Recommended height for the horizontal part : 800 mm from the ground. Grab bars provide support and added safety if properly fitted in accordance with our technical instructions. Careful consideration and selection of the appropriate wall fixings according to the wall-mounted support is required to ensure the long life of your accessory. The use of stainless steel screws (Ø 4 mm) is highly recommended to prevent corrosion in damp environment. Before drilling, physically hold the product against the wall at desired position and mark the hole locations. All the fixing points must be respected. After installation and before use, make sure that all fixing screws are tightened securely. DO NOT use the grab bar as a step. DO NOT sit on or hang from the grab bar.

Maintenance

IMPORTANT: To ensure the sustainability of the product and user safety, we recommend using a solution made of mild soap for cleaning. CAUTION: DO NOT USE cleaning products made of: etones, hydrocarbons, acids, bases, esters and ethers. After use of a cleaning product, make a rinsing in the clear water.

Confort of use

Function

Support	★★★★
Raising	★★★★
Transfer	★★★★

Characteristics

Horizontal	★★★★
Vertical	★★★★
Corrosion resistant	★★★★

Type of Use

Bath	★★★★
Shower	★★★★

Location of Use

Medical facilities	★★★★
ERP/IOP	★★★★
Hotels	★★★★
Private homes	★★★★
Workplaces	★★★★

Fiche produit mise à jour le : 28/03/2019